

1 2 3 4 5 6 7 8

A

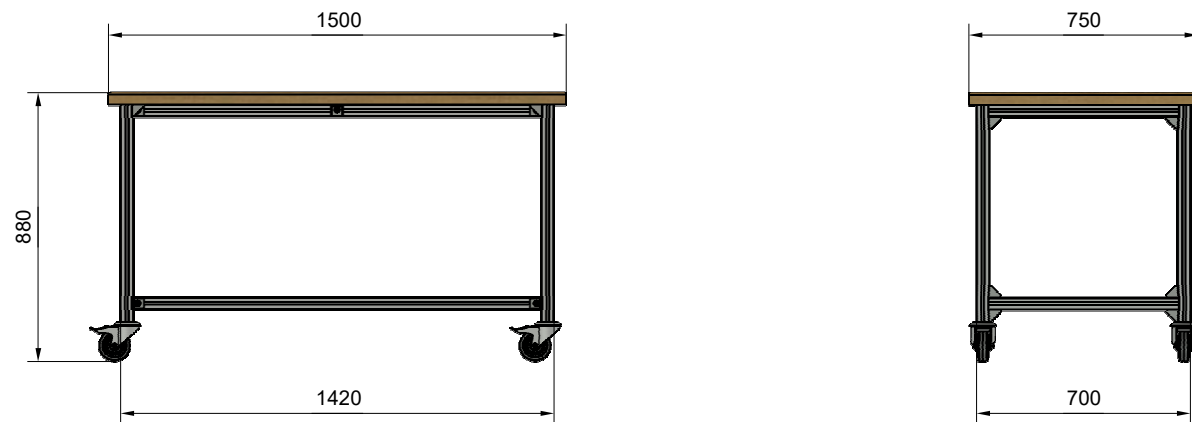
A

B

B

C

C



D

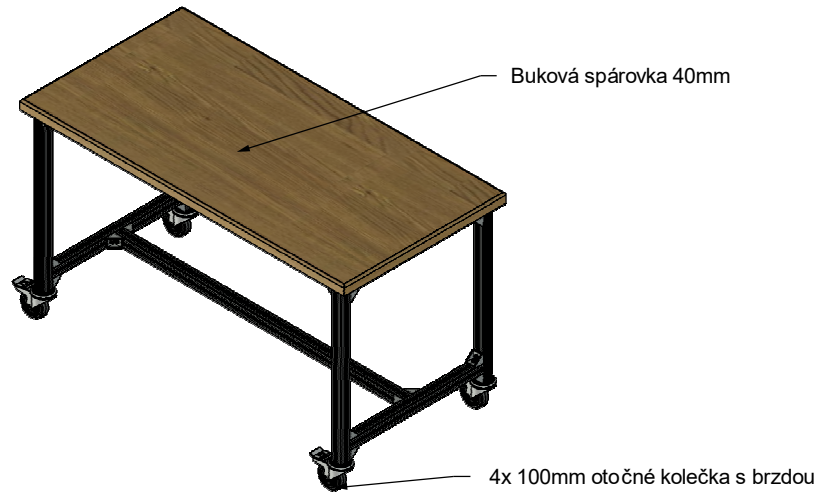
D

E

E

F

F



Workshop accuracies for general tolerances - Tolerances for length and angle dimensions; DIN ISO 2768-1-v
 -Machining details and finish classification to DIN ISO 1302

E 	Total load capacity*: 250 kg (Celková nosnosť:*)		Load capacity - floor*: (nosnosť na patro:*)			
	Scale	A3	Drawn Kempný	Checked	Dat. 07.08.2024	
	Title Enprag s.r.o.				Sheet 1 of 1	Rev. A00
	Title Stůl				Doc.Nr 24080731	

This document is the sole property of Enprag s.r.o. and may not be copied, duplicated, used or given to third parties without the written permission from Enprag s.r.o. Misuse is subject to penalties and will be legally pursued

Tolerances for shape and condition:
 - DIN ISO 2768-2-K
 Tolerancing:
 - DIN 7167

1 2 3 4 5 6 7 8