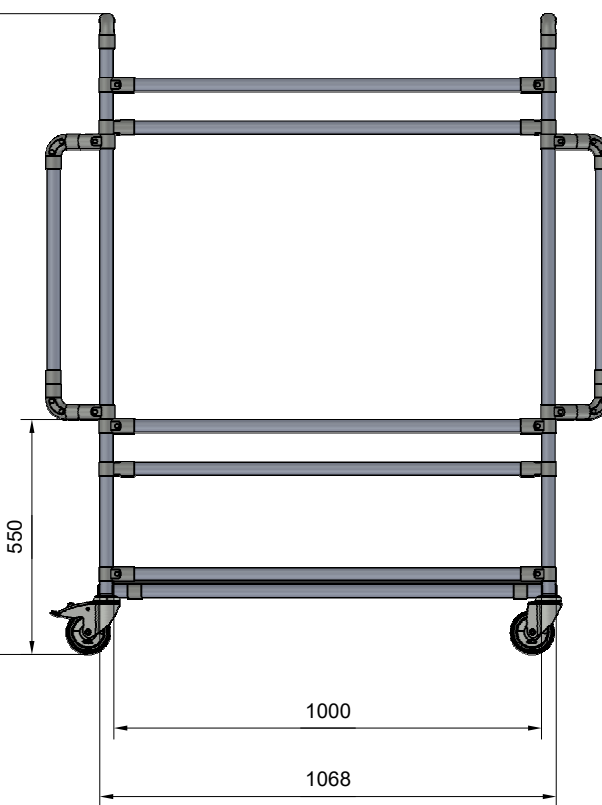


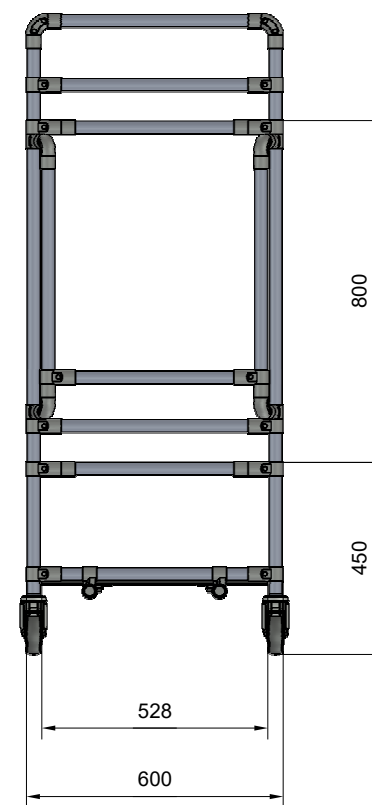
vhodné pro pneumatiky 16-20"

akýboard tl. 10mm



oboustranné madlo

2x 100mm kolečko s brzdou
2x 100mm kolečko



Workshop accuracies for general tolerances - Tolerances for length and angle dimensions; DIN ISO 2768-1-
-Machining details and finish classification to DIN ISO 1302

E	Total load capacity*: (Celková nosnosť:*)	200 kg	Load capacity - floor*: (nosnosť na patro:*)		100 kg
	Scale	A3	Drawn Kempný	Checked	Dat. 24.09.2024
Enprag	Title			Sheet 1 of 1	Rev. A00
	Title			Doc.Nr	
			Enprag s.r.o.		
			Regál pneu 2 patra		24082636

This document is the sole property of Enprag s.r.o.
and may not be copied, duplicated, used or given to
third parties without the written permission from Enprag s.r.o.
Misuse is subject to penalties and will be legally pursued

Tolerances for shape and condition:
- DIN ISO 2768-2-K
Tolerancing:
- DIN 7167